



ITT

Residential Water Systems

Goulds Pumps

5GS, 7GS, 10GS,
13GS, 18GS, 25GS

60 Hz Standard Capacity
4" Submersible Pumps



 **GOULDS PUMPS**

Goulds Pumps is a brand of ITT Water Technology, Inc.
- a subsidiary of ITT Industries, Inc.

www.goulds.com

Engineered for life

FEATURES

- **Powered for Continuous Operation:** All ratings are within the working limits of the motor as recommended by the motor manufacturer. Pump can be operated continuously without damage to the motor.
- **Field Serviceable:** Units have left hand threads and are field serviceable with common tools and readily available repair parts.
- **Sand Handling Design:** Our face clearance, floating impeller stack has proven itself for over 40 years as a superior sand handling, durable pump design.
- **FDA Compliant Non-Metallic Parts:** Impellers, diffusers and bearing spiders are constructed of glass filled engineered composites. They are corrosion resistant and non-toxic.
- **Discharge Head/Check Valve:** Cast 303 stainless steel for strength and durability. Two cast-in safety line loops for installer convenience. The built-in check valve is constructed of stainless steel and FDA compliant BUNA rubber for abrasion resistance and quiet operation.
- **Motor Adapter:** Cast 303 stainless steel for rigid, accurate alignment of pump and motor. Easy access to motor mounting nuts using standard open end wrench.
- **Stainless Steel Casing:** Polished stainless steel is strong and corrosion resistant.
- **Hex Shaft Design:** Six sided shafts for positive impeller drive.
- **Engineered Polymer Bearings:** The proprietary, engineered polymer bearing material is strong and resistant to abrasion and wear. The enclosed upper bearing is mounted in a durable Noryl® bearing spider for excellent abrasion resistance.

GOULDS PUMPS

Residential Water Systems

WATER END DATA

Series	Model	Required H.P.	Stages	Water End	
				Length (in)	Wt (lbs)
5GS	5GS05R	.5	9	12.9	8
	5GS05R	.5	12	15.0	9
	5GS07	.75	15	17.0	11
	5GS10	1	20	21.7	13
	5GS15	1.5	26	25.8	15
	5GS20	2	33	31.6	19
7GS	7GS05R	.5	7	11.7	6
	7GS05R	.5	10	13.8	7
	7GS07	.75	13	16.0	8
	7GS10	1	17	18.8	9
	7GS15	1.5	22	23.6	12
	7GS20	2	27	27.2	13
10GS	7GS30	3	34	33.2	18
	10GS05R	.5	5	10.1	6
	10GS05	.5	7	11.5	7
	10GS07	.75	10	13.6	8
	10GS10	1	12	15.0	9
	10GS15	1.5	17	18.4	12
	10GS20	2	20	21.7	13
	10GS30	3	27	27.5	18
	10GS50R	5	35	33.0	21
	10GS50	5	42	40.2	24
13GS	13GS05	.5	5	10.1	6
	13GS07	.75	7	11.5	7
	13GS10	1	10	13.6	8
	13GS15	1.5	12	15.0	9
	13GS20	2	17	18.4	12
	13GS30	3	21	22.3	15
18GS	18GS75	.75	6	11.8	7
	18GS10	1	8	13.5	8
	18GS15	1.5	11	16.1	10
	18GS20	2	14	18.6	11
	18GS30	3	19	24.1	15
	18GS50R	5	24	28.3	17
	18GS50	5	30	34.4	21
25GS	25GS10	1	7	13.4	8
	25GS15	1.5	9	15.3	9
	25GS20	2	11	17.2	10
	25GS30	3	15	20.9	14
	25GS50R	5	22	28.7	17
	25GS50	5	26	33.4	21

SPECIFICATIONS

Model	Flow Range GPM	Horsepower Range	Best Efficiency GPM	Discharge Connection	Minimum Well Size	Rotation ^①
5GS	1.2 – 7.5	½ – 2	5	1¼	4"	CCW
7GS	1.5 – 10	½ – 3	7	1¼	4"	CCW
10GS	3 – 16	½ – 5	10	1¼	4"	CCW
13GS	4 – 20	½ – 3	13	1¼	4"	CCW
18GS	6 – 28	½ – 5	18	1¼	4"	CCW
25GS	8 – 33	1 – 5	25	1¼	4"	CCW

① Rotation is counterclockwise when observed from pump discharge end.

"GS" SERIES MATERIALS OF CONSTRUCTION

Part Name	Material
Discharge Head	AISI 303 SS
Check Valve Poppet	AISI 304 SS
Check Valve Seal	BUNA, FDA compliant
Check Valve Seat	AISI 304 SS
Check Valve Retaining Ring	AISI 302 SS
Bearing Spider – Upper	Noryl® GFN2
Bearing	Proprietary Engineered Polymer
Klipring	AISI 301 SS
Diffuser	Lexan®
Impeller	Noryl®
Bowl	AISI 304 SS
Intermediate Sleeve*	AISI 304 SS, Powder Metal
Intermediate Shaft Coupling*	AISI 304 SS, Powder Metal
Intermediate Bearing Spider*	Glass Filled Engineered Composite
Intermediate Bearing Spider*	AISI 303 SS
Shim	AISI 304 SS
Screws – Cable Guard	AISI 304 SS
Motor Adapter	AISI 303 SS
Casing	AISI 304 SS
Shaft	
Coupling	AISI 304 SS, Powder Metal
Cable Guard	AISI 304 SS
Suction Screen	AISI 304 SS

*See repair parts for where used.

AGENCY LISTINGS

All factory assembled, complete pump/motor assemblies are UL778 and CSA listed. All pumps and motors comply with ANSI/NSF 61-1992. Motors are UL778 recognized.



Canadian Standards Association



Underwriters Laboratories

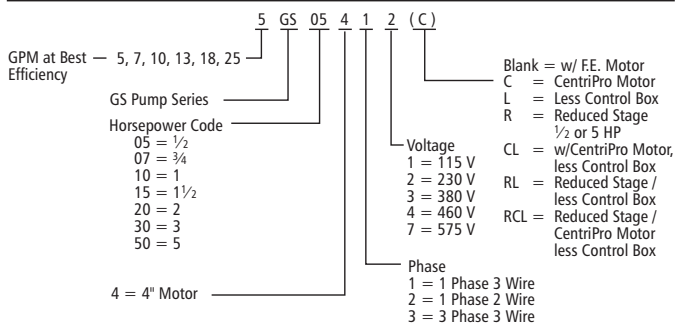


ANSI/NSF 61 - Drinking Water System Components 4P49

Goolds Pumps is ISO 9001 Registered.

NOMENCLATURE

See price book for complete order numbers.



CENTRIPRO 4" SINGLE-PHASE MOTORS

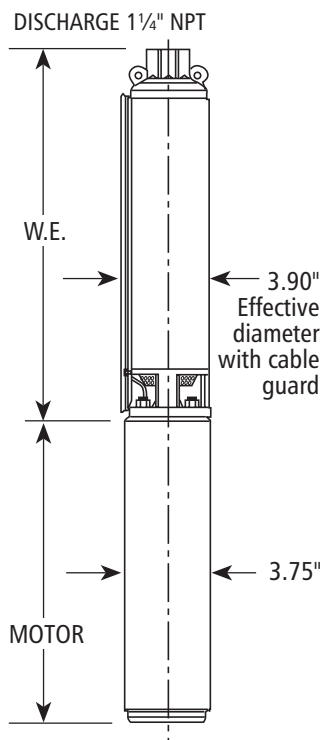
Order No.	Type	HP	Volts	Length (in)	Weight (lb)
M05421	2-wire PSC	.5	115	11.0	19.2
M05422		.5	230	11.0	19.2
M07422		.75	230	12.4	22.7
M10422		1	230	13.3	24.5
M15422		1.5	230	14.9	28.9
M05411	3-wire	.5	115	10.0	18.9
M05412		.5	230	9.7	18.1
M07412		.75	230	10.8	21.4
M10412		1	230	11.7	23.1
M15412		1.5	230	13.6	27.4

FRANKLIN ELECTRIC 4" SINGLE-PHASE MOTORS

Order No.	Type	HP	Volts	Length (in)	Weight (lb)
S04932	2-wire Split- Phase	.5	115	9.5	18
S04942		.5	230	9.5	18
S05942		.75	230	10.7	21
S06942		1	230	11.8	24
S07942		1.5	230	15.1	31
S04930	3-wire	.5	115	9.5	19
S04940		.5	230	9.5	19
S05940		.75	230	10.7	21
S06940		1	230	11.8	24
S07940		1.5	230	13.6	28
S08940		2	230	15.1	33
S09940		3	230	19.1	41
S09940HT		3	230	22.2	55
S10940		5	230	28.2	70

FRANKLIN ELECTRIC 4" THREE-PHASE MOTORS

Order No.	HP	Volts	Length (in)	Weight (lb)
S04978	.5	200	9.5	18
S04970		230		
S04975		460		
S05978	.75	200	10.7	21
S05970		230		
S05978		460		
S06978	1	200	11.8	24
S06970		230		
S06975		460		
S07978	1.5	200	11.8	24
S07970		230		
S07975		460		
S07979		575		
S08978	2	200	13.6	28
S08970		230		
S08975		460		
S08979		575		
S09978	3	200	16.1	35
S09970		230		
S09975		460		
S09979		575		
S09978HT	3 High Thrust	200	19.2	42
S09970HT		230		
S09975HT		460		
S09979HT		575		
S10978	5	200	22.2	55
S10970		230		
S10975		460		
S10979		575		
S119784	7.5	200	28.2	70
S119704		230		
S119754		460		
S129724	10	460	30.5	75



NEMA MOTOR

- Corrosion resistant stainless steel construction.
- Built-in surge arrestor is provided on single phase motors through 5 HP.
- Stainless steel splined shaft.
- Hermetically sealed windings.
- Replaceable motor lead assembly.
- UL 778 recognized.
- NEMA mounting dimensions.
- Control box is required with 3 wire single phase units.
- Three phase units require a magnetic starter with three leg protection. Magnetic starter and heaters must be ordered separately.

Model 7GS

SELECTION CHART

Horsepower Range 1/2 – 1, Recommended Range 1.5 – 10 GPM, 60 Hz, 3450 RPM

Pump Model	HP	PSI	Depth to Water in Feet/Ratings in GPM (Gallons per Minute)																											
			20	40	60	80	100	120	140	160	180	200	220	240	260	280	300	320	340	360	380	400	420	440	460	480	500	540	580	620
7GS05R	1/2R	0					10.2	8.9	7.5	5.9	3.6																			
		20				9.8	8.5	7.0	5.3	2.5																				
		30			9.6	8.3	6.8	4.9	1.9																					
		40		9.4	8.1	6.5	4.6	1.2																						
		50	9.2	7.8	6.3	4.2	0.5																							
		60	7.6	6.0	3.8																									
Shut-off PSI			85	77	68	59	51	42	33	25	16	7																		
7GS05	1/2	0								10.1	9.2	8.3	7.4	6.3	5.0	3.4														
		20					9.8	9.0	8.1	7.1	6.0	4.6	2.7																	
		30					9.7	8.8	7.9	6.9	5.8	4.3	2.4																	
		40			10.4	9.6	8.7	7.8	6.7	5.6	4.1	2.0																		
		50		10.3	9.4	8.5	7.6	6.6	5.4	3.8	1.7																			
		60	10.2	9.3	8.4	7.5	6.4	5.1	3.5																					
Shut-off PSI			125	116	107	99	90	81	73	64	55	47	38	29	21	12														
7GS07	3/4	0										10.0	9.3	8.6	7.9	7.1	6.2	5.2	4.0	2.4										
		20								10.4	9.8	9.1	8.4	7.7	6.9	6.0	4.9	3.5	1.8											
		30								10.3	9.7	9.0	8.3	7.5	6.7	5.8	4.7	3.3	1.5											
		40						10.2	9.5	8.9	8.2	7.4	6.6	5.6	4.5	3.1														
		50					10.1	9.4	8.8	8.1	7.3	6.5	5.5	4.3	2.8															
		60				10.0	9.3	8.7	7.9	7.2	6.3	5.3	4.1	2.5																
Shut-off PSI					140	131	122	114	105	96	88	79	70	62	53	44	36	27	18	10										
7GS10	1	0											10.1	9.6	9.0	8.5	7.9	7.3	6.7	6.0	5.3	4.4	3.4	2.1						
		20										10.4	9.9	9.4	8.9	8.3	7.7	7.1	6.5	5.8	5.0	4.1	3.0	1.6						
		30										10.3	9.9	9.3	8.8	8.2	7.6	7.0	6.4	5.7	4.9	4.0	2.8							
		40										10.3	9.8	9.2	8.7	8.1	7.5	6.9	6.3	5.6	4.8	3.8	2.6							
		50									10.2	9.7	9.2	8.6	8.0	7.4	6.8	6.2	5.4	4.6	3.7	2.4								
		60						10.1	9.6	9.1	8.5	7.9	7.3	6.7	6.0	5.3	4.5	3.5	2.2											
Shut-off PSI							166	158	149	140	132	123	114	106	97	88	80	71	62	54	45	36	28	19	10					

Horsepower Range 1 1/2 – 3, Recommended Range 1.5 – 10 GPM, 60 Hz, 3450 RPM

Pump Model	HP	PSI	Depth to Water in Feet/Ratings in GPM (Gallons per Minute)																											
			200	220	240	260	280	300	340	380	420	460	500	540	580	620	660	700	740	780	820	860	900	940	980	1020	1060	1100	1140	
7GS15	1 1/2	0									10.2	9.3	8.5	7.6	6.8	5.9	4.7	2.6												
		20								10.1	9.2	8.3	7.5	6.7	5.8	4.5	2.1													
		30						10.4	9.6	8.7	7.8	7.0	6.2	5.1	3.3															
		40					10.3	9.9	9.1	8.2	7.4	6.6	5.6	4.2	1.6															
		50				10.3	9.9	9.4	8.6	7.7	6.9	6.0	4.9	2.9																
		60			10.2	9.8	9.4	8.9	8.1	7.2	6.4	5.4	3.9																	
Shut-off PSI				194	186	177	168	151	134	116	99	82	64	47	30	12														
7GS20	2	0										9.8	9.3	8.7	8.4	7.8	7.1	6.3	5.4	4.5	3.5	2.2								
		20										9.8	9.3	8.7	8.4	7.7	6.9	6.2	5.3	4.3	3.2	2.8								
		30										9.9	9.5	9.0	8.5	7.9	7.2	6.4	5.7	4.4	3.7									
		40									10.0	9.7	9.2	8.7	8.3	7.5	6.7	6.0	5.2	4.1	3.0									
		50									9.9	9.4	8.9	8.5	7.8	7.2	6.3	5.5	4.7	3.5										
		60							10.0	9.6	9.1	8.7	8.2	7.4	6.6	5.8	5.0	4.0												
Shut-off PSI							268	251	234	216	199	182	165	147	130	113	95	80	61											
7GS30	3	0														9.8	9.5	9.2	8.7	8.3	7.9	7.4	6.8	6.2	5.4	4.7	3.9	3.0	2.0	
		20														9.8	9.4	9.2	8.7	8.3	7.8	7.2	6.7	6.2	5.3	4.5	3.7	3.3	1.7	
		30														10.0	9.6	9.2	8.8	8.5	8.0	7.5	6.9	6.3	5.7	4.8	4.1	3.2	2.3	
		40														10.0	9.7	9.4	9.0	8.6	8.2	7.7	7.2	6.6	5.9	5.2	4.4	3.6	2.7	1.7
		50														9.9	9.5	9.2	8.7	8.4	7.9	7.4	6.8	6.3	5.5	4.8	3.9	3.1	2.2	
		60														10.0	9.7	9.3	9.0	8.6	8.1	7.6	7.0	6.5	5.8	5.1	4.2	3.4	2.5	1.5
Shut-off PSI											320	303	286	268	251	234	216	199	182	165	147	130	113	95	78	61	43	27		

Model 10GS

SELECTION CHART

Horsepower Range 1/2 – 3, Recommended Range 3 – 16 GPM, 60 Hz, 3450 RPM

Pump Model	HP	PSI	Depth to Water in Feet/Ratings in GPM (Gallons per Minute)																														
			20	40	60	80	100	120	140	160	180	200	220	240	260	280	300	340	380	420	460	500	540	580	620	660	700	740	780	820			
10GS05R	1/2	0			15.6	14.0	12.4	10.4	6.5																								
		20	15.4	13.5	11.5	9.2	6.0																										
		30	13.0	11.1	8.0	4.0																											
		40	11.0	7.9	3.0																												
		50	7.0																														
		60																															
Shut-off PSI			61	53	44	34	26	18	10																								
10GS05	1/2	0				16.0	15.3	14.3	12.8	11.3	9.0	6.4																					
		20		15.9	14.9	13.8	12.5	10.8	8.3	4.8																							
		30	15.7	14.6	13.5	12.3	10.5	7.8	4.0																								
		40	14.5	13.4	12.0	10.3	7.5	3.0																									
		50	13.0	11.5	9.8	7.2																											
		60	11.3	9.0	6.4																												
Shut-off PSI			89	81	72	63	55	46	37	29	20	11																					
10GS07	3/4	0				16.0	15.2	14.3	13.4	12.5	11.5	10.3	9.0	7.0	4.0																		
		20				15.8	15.0	14.0	13.0	12.3	11.2	10.2	8.5	6.0																			
		30				15.7	14.8	13.9	12.8	12.0	11.0	9.8	8.2	5.5																			
		40		15.6	14.7	13.8	12.7	11.9	10.8	9.7	8.1	5.2																					
		50	15.3	14.4	13.5	12.6	11.6	10.5	9.4	7.5	4.8																						
		60	14.3	13.4	12.5	11.5	10.3	9.0	7.0	4.0																							
Shut-off PSI			130	121	113	104	95	87	78	69	61	52	43	35	26	17	9																
10GS10	1	0								15.8	15.2	14.5	13.7	12.8	12.0	11.0	10.0	6.7															
		20								15.7	14.9	14.3	13.5	12.7	11.7	10.6	9.6	8.1	6.5														
		30					16.0	15.6	14.8	14.2	13.3	12.5	11.6	10.4	9.4	7.8	5.5	3.0															
		40				16.0	15.5	14.7	14.1	13.2	12.4	11.5	10.3	9.1	7.4	5.0	3.0																
		50				15.3	14.6	13.9	13.0	12.3	11.3	10.1	8.9	7.0	4.3																		
		60	15.8	15.2	14.5	13.7	12.8	12.0	11.0	10.0	8.6	6.7	4.0																				
Shut-off PSI			158	150	141	132	124	115	106	98	89	81	72	63	55	46	37	20															
10GS15	1 1/2	0												15.7	15.3	14.8	14.4	13.3	12.2	10.9	9.3	7.1	3.0										
		20												16.0	15.6	15.2	14.6	14.2	13.5	13.1	12.6	11.3	9.7	7.6	4.0								
		30												15.9	15.5	15.2	14.6	14.2	13.5	13.1	12.6	11.3	9.7	7.6	4.0								
		40									15.8	15.5	15.1	14.6	14.2	13.5	13.0	12.5	11.8	10.3	8.8	6.0											
		50								15.7	15.4	14.9	14.5	14.0	13.4	12.8	12.3	11.7	11.0	9.4	7.4	3.4											
		60						15.7	15.3	14.8	14.4	13.9	13.3	12.8	12.2	11.6	10.9	10.1	8.1	5.6													
Shut-off PSI							197	188	180	171	162	154	144	136	128	119	110	93	76	58	41	24	6										
10GS20	2	0														16.0	15.7	14.9	14.2	13.4	12.4	11.4	10.0	8.2	5.8								
		20														15.9	15.5	15.3	14.8	14.1	13.2	12.2	11.0	9.9	8.0	5.2							
		30														15.8	15.4	15.1	14.7	14.4	13.5	12.7	11.7	10.3	8.8	6.5							
		40														15.8	15.4	15.1	14.7	14.4	14.0	12.9	12.2	10.9	9.5	7.8	3.9						
		50										16.1	15.7	15.3	15.0	14.6	14.2	14.0	13.4	12.5	11.5	10.1	8.5	6.0									
		60								16.0	15.7	15.3	14.9	14.5	14.2	13.8	13.4	12.8	11.8	10.7	9.1	7.2	3.4										
Shut-off PSI									225	216	208	199	190	182	173	164	156	139	121	104	87	69	52	35	17								
10GS30	3	0																	15.8	15.2	14.6	14.0	13.3	12.6	11.9	11.0	10.0	9.0	7.5	5.8			
		20																	15.7	15.1	14.5	13.9	13.2	12.5	11.8	10.9	9.9	8.8	7.2	5.4			
		30																		15.9	15.4	14.8	14.2	13.4	12.8	12.0	11.3	10.3	9.3	8.1	6.2	3.8	
		40																		15.9	15.6	15.0	14.4	13.8	13.1	12.4	11.5	10.8	9.7	8.6	7.1	4.7	
		50															16.0	15.8	15.6	15.3	14.7	14.1	13.3	12.7	11.9	11.0	10.2	9.1	7.8	6.0	3.0		
		60															16.0	15.8	15.5	15.2	14.8	14.3	13.7	12.9	12.3	11.4	10.6	9.6	8.3	6.8	4.5		
Shut-off PSI																284	275	267	258	249	232	215	197	180	163	145	128	111	94	76	59	42	24

Horsepower Range 5, Recommended Range 3 – 16 GPM, 60 Hz, 3450 RPM

Pump Model	HP	PSI	Depth to Water in Feet/Ratings in GPM (Gallons per Minute)																		
			340	380	420	460	500	540	580	620	660	700	740	780	820	860	900	940	980	1020	1060
10GS50R	5	0					15.6	15.1	14.6	14.2	13.7	13.3	12.8	12.3	11.7	11.0	10.2	9.2	7.9	6.3	4.3
		20				16.0	15.5	15.0	14.6	14.1	13.6	13.2	12.7	12.2	11.6	10.9	10.1	9.0	7.6	6.0	3.9
		30				15.7	15.3	14.8	14.3	13.8	13.4	12.9	12.4	11.9	11.2	10.4	9.5	8.2	6.7	4.9	
		40			16.0	15.5	15.0	14.5	14.0	13.6	13.1	12.6	12.1	11.5	10.8	9.9	8.8	7.4	5.7	3.6	
		50			15.7	15.2	14.7	14.2	13.8	13.3	12.9	12.4	11.8	11.1	10.3	9.3	8.0	6.5	4.5		
		60	15.9	15.4	14.9	14.4	14.0	13.5	13.0	12.6	12.0	11.4	10.7	9.7	8.6	7.2	5.4	3.2			
Shut-off PSI			341	324	306	289	272	255	237	220	203	185	168	151	133	116	99	81	64	47	29

Pump Model	HP	PSI	Depth to Water in Feet/Ratings in GPM (Gallons per Minute)																					
			440	480	520	560	600	640	680	720	760	800	840	880	920	960	1000	1040	1080	1120	1160	1200	1240	1280
10GS50	5	0						16	15.5	15.2	14.9	14.5	14	13.5	13	12.5	12	11.5	10.8	10.2	9.5	8.5	7	5.2
		20						15.9	15.4	15.1	14.8	14.5	13.9	13.4	12.9	12.4	11.9	11.3	10.7	10.1	9.4	8.2	6.8	4.3
		30						15.6	15.2	14.9	14.6	14.2	13.7	13.1	12.6	12.1	11.6	11.0	10.4	9.8	8.8	7.5	6.0	3.0
		40					15.8	15.3	15.1	14.7	14.4	13.8	13.3	12.8	12.3	11.8	11.2	10.6	10.0	9.2	7.9	6.6	4.1	
		50					15.5	15.2	14.9	14.6	14.1	13.6	13.0	12.5	12.1	11.5	10.9	10.3	9.7	8.6	7.3	5.6		
		60				15.7	15.3	15.0	14.7	14.3	13.7	13.2	12.7	12.2	11.7	11.1	10.5	9.9	9.0	7.7	6.5	3.2		
Shut-off PSI					346	329	312	294	277	260	242	225	208	191	173	156	139	121	104	87	69	52	35	17

Model 13GS

SELECTION CHART

Horsepower Range ½ – 3, Recommended Range 4 – 20 GPM, 60 Hz, 3450 RPM

Pump Model	HP	PSI	Depth to Water in Feet/Ratings in GPM (Gallons per Minute)																												
			20	40	60	80	100	120	140	160	180	200	220	240	260	280	300	340	380	420	460	500	540	580	620	660	700	740	780	820	
13GS05	½	0			19.0	17.5	15.3	12.5	8.2																						
		20	18.8	16.5	14.5	12.0	8.0																								
		30	16.0	13.4	11.0	4.1																									
		40	13.3	10.6	4.0																										
		50	9.8																												
		60																													
Shut-off PSI			60	52	43	35	26	17	9																						
13GS07	¾	0				19.7	18.5	17.0	15.0	13.2	11.5	8.5																			
		20		19.4	18.0	16.4	14.8	12.9	10.5	6.0																					
		30	18.9	17.5	16.0	14.6	12.5	10.0	5.0																						
		40	17.4	15.9	14.4	12.4	9.7	4.0																							
		50	15.4	13.8	12.0	9.5																									
		60	13.2	11.5	8.5																										
Shut-off PSI			86	78	69	61	52	43	35	26	17	8																			
13GS10	1	0					19.6	18.4	17.6	16.6	15.4	14.1	12.8	11.4	9.5	6.0															
		20			20.0	19.4	18.5	17.2	16.3	15.0	13.8	12.5	11.0	8.5	4.0																
		30		20.0	19.2	18.2	17.1	15.8	14.7	13.6	12.2	10.5	7.5																		
		40	19.9	19.0	18.0	17.0	15.7	14.6	13.5	12.0	10.1	7.3																			
		50	18.8	17.8	16.8	15.5	14.5	13.0	11.6	9.9	7.0																				
		60	17.6	16.6	15.4	14.1	12.8	11.4	9.5	6.0																					
Shut-off PSI			128	119	110	102	93	84	76	67	58	50	41	32	24	15	6														
13GS15	1½	0						19.7	18.9	18.2	17.3	16.3	15.2	14.2	13.2	12.1	8.7														
		20					19.5	18.4	17.9	17.0	16.0	15.1	14.1	12.9	11.8	10.2	8.8														
		30			20.2	19.4	18.6	17.6	16.8	15.8	14.9	14.0	12.6	11.5	9.9	7.9	4.0														
		40		20.0	19.3	18.5	17.5	16.6	15.7	14.8	13.9	12.5	11.4	9.5	7.3	4.0															
		50	20.0	19.1	18.3	17.4	16.4	15.5	14.5	13.6	12.3	11.0	9.2	6.3																	
		60	18.9	18.2	17.3	16.3	15.2	14.2	13.3	12.1	11.0	8.7	5.6																		
Shut-off PSI			156	147	139	130	121	113	104	95	87	78	69	61	52	43	35	17													
13GS20	2	0									20.0	19.5	19.0	18.3	17.9	17.2	15.8	14.4	12.6	10.5	7.7										
		20								19.8	19.4	18.8	18.2	17.6	17.0	16.3	15.6	14.1	12.4	10.2	6.8										
		30								19.7	19.3	18.7	18.2	17.4	16.8	16.2	15.5	14.8	13.1	11.1	8.8										
		40						19.6	19.2	18.6	18.1	17.3	16.7	16.1	15.4	14.7	13.8	12.0	9.8	6.0											
		50				20.1	19.5	19.1	18.4	18.0	17.2	16.6	16.0	15.2	14.6	13.7	12.9	10.8	8.5												
		60			20.0	19.5	19.0	18.3	17.9	17.2	16.5	15.8	15.1	14.4	13.6	12.6	11.5	9.2	5.0												
Shut-off PSI					206	198	189	180	172	163	155	146	137	129	120	111	103	85	68	51	33	16									
13GS30	3	0												19.8	19.4	18.9	18.0	17.1	16.0	14.6	13.5	11.9	10.0	7.3							
		20											19.6	19.2	18.9	18.3	17.9	17.0	15.9	14.7	13.3	11.8	9.7	6.9							
		30										20.0	19.5	19.1	18.8	18.2	17.8	17.4	16.4	15.2	13.9	12.3	10.5	8.3	4.0						
		40									20.0	19.4	19.1	18.7	18.2	17.8	17.3	16.8	15.6	14.5	13.0	11.4	9.5	6.0							
		50							19.9	19.5	19.0	18.6	18.1	17.7	17.2	16.7	16.1	14.9	13.7	12.0	10.1	7.9									
		60						19.8	19.4	18.9	18.5	18.0	17.5	17.1	16.6	16.0	15.4	14.2	12.9	11.0	9.0	5.0									
Shut-off PSI							235	226	217	209	200	191	183	174	165	157	139	122	104	87	70	53	35	18							

Model 25GS

SELECTION CHART

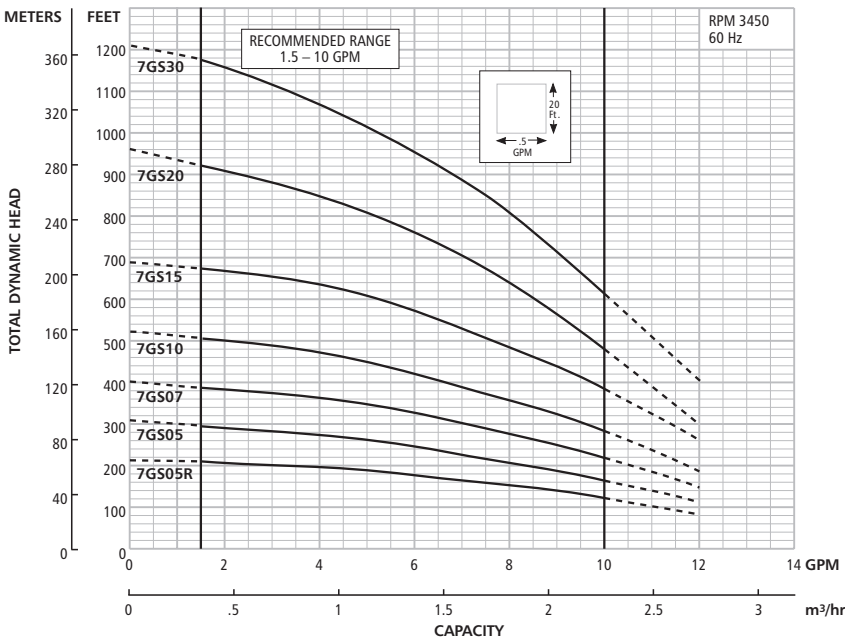
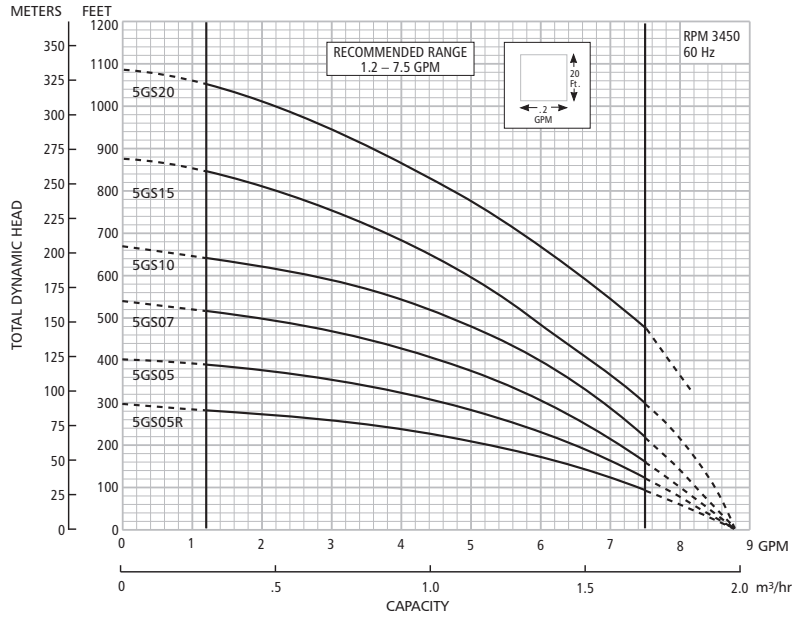
Horsepower Range 1 – 5, Recommended Range 8 – 33 GPM, 60 Hz, 3450 RPM

Pump Model	HP	PSI	Depth to Water in Feet/Ratings in GPM (Gallons per Minute)																											
			20	40	60	80	100	120	140	160	180	200	220	240	260	280	300	340	380	420	460	500	540	580	620	660	700	740		
25GS10	1	0			32.8	30.8	28.6	26.2	23.5	20.0	16.2	11.0																		
		20	31.8	30.0	27.5	25.2	22.0	19.0	15.0	8.0																				
		30	29.6	27.2	25.0	21.6	18.0	14.0																						
		40	27.1	24.9	21.5	17.9	13.9																							
		50	24.3	21.0	17.5	13.0																								
		60	20.0	16.2	11.0																									
Shut-off PSI			82	74	65	56	48	39	30	22	13	4																		
25GS15	1½	0				33.0	31.8	30.3	28.8	26.9	24.8	22.0	19.8	16.5	11.0															
		20		32.6	31.2	29.6	28.0	26.0	23.8	21.0	18.1	14.8	8.0																	
		30	32.5	31.0	29.5	27.6	25.6	23.2	20.9	17.9	14.0																			
		40	30.9	29.4	27.5	25.5	23.1	20.8	17.7	13.6																				
		50	29.0	27.2	25.1	22.9	20.4	17.2	13.0																					
		60	26.9	24.8	22.0	19.8	16.5	11.0																						
Shut-off PSI			111	103	94	85	77	68	59	51	42	33	25	16	7															
25GS20	2	0						33.0	31.8	30.4	29.0	27.4	25.7	22.6	21.5	19.3	15.4													
		20				32.7	31.3	30.0	28.6	26.8	25.0	22.9	20.9	18.3	14.3	9.0														
		30			32.3	31.0	29.6	28.5	26.4	24.5	22.6	20.5	18.0	14.0	8.0															
		40			30.9	29.5	28.2	26.3	24.3	22.4	20.4	17.8	13.6	8.0																
		50		30.5	29.4	28.0	26.0	24.1	22.1	20.0	17.2	13.2																		
		60	30.4	29.0	27.4	25.7	22.6	21.5	19.3	15.4	12.2																			
Shut-off PSI			139	130	121	113	104	95	87	78	69	61	52	43	35	26	17													
25GS30	3	0								33.0	32.2	31.5	30.5	29.6	28.3	27.1	25.8	22.6	19.0	14.0										
		20						32.8	32.0	31.0	30.0	29.0	27.9	26.6	25.0	23.8	21.9	20.0	12.6											
		30					32.6	31.8	30.9	30.0	28.8	27.6	26.5	24.9	23.4	21.6	19.9	15.2	8.0											
		40				32.5	31.7	30.9	29.9	28.8	27.5	26.2	24.7	23.3	21.5	19.9	17.8	11.9												
		50			32.3	31.6	30.8	29.8	28.5	27.3	26.0	24.5	23.0	21.2	19.5	17.4	11.5													
		60	33.0	32.2	31.5	30.5	29.6	28.3	27.1	25.8	24.1	22.6	20.9	19.0	16.9	14.0	10.0													
Shut-off PSI			191	183	174	165	157	148	139	131	122	113	105	96	87	79	70	53	35	18										
25GS50R	5	0											32.7	32.2	31.7	31.2	30.5	29.1	27.3	25.3	23.3	21.4	19.3	16.5	11.7					
		20									33.0	32.5	32.1	31.5	31.0	30.3	29.6	28.8	27.0	25.0	23.0	21.1	18.9	15.9	10.6					
		30								32.9	32.5	32.0	31.5	30.9	30.2	29.5	28.7	27.8	25.9	23.9	21.9	19.9	17.4	13.3						
		40						32.9	32.4	31.9	31.4	30.8	30.1	29.4	28.5	27.6	26.7	24.7	22.7	20.8	18.6	15.3								
		50					32.8	32.3	31.8	31.3	30.7	30.0	29.2	28.4	27.5	26.5	25.6	23.6	21.6	19.6	16.9									
		60				32.7	32.2	31.7	31.2	30.6	29.9	29.1	28.3	27.4	26.4	25.4	24.4	22.4	20.4	18.2	14.6									
Shut-off PSI					252	243	234	226	217	208	200	191	182	174	165	156	139	122	104	87	70	52	35	18						
25GS50	5	0														33.0	32.5	31.5	30.2	29.0	27.6	26.0	24.2	22.4	20.5	18.3	15.8	12.0		
		20														32.9	32.3	31.8	31.3	30.0	28.8	27.2	25.8	23.9	22.0	20.0	17.8	15.0	11.0	
		30														32.8	32.2	31.8	31.2	30.5	29.3	27.9	26.4	24.8	22.9	21.0	18.9	16.2	13.0	8.0
		40														32.7	32.1	31.7	31.1	30.4	29.9	28.5	27.1	25.4	23.7	21.9	19.9	17.5	14.5	10.5
		50										32.6	32.1	31.6	31.0	30.3	29.9	29.2	27.8	26.3	24.5	22.6	21.8	18.7	16.0	12.7				
		60							33.0	32.5	32.0	31.5	30.8	30.2	29.8	29.0	28.3	26.9	25.1	23.3	21.5	19.5	17.0	14.0	9.5					
Shut-off PSI							286	277	268	260	251	242	234	225	216	199	182	165	147	130	113	95	78	61	43	26				

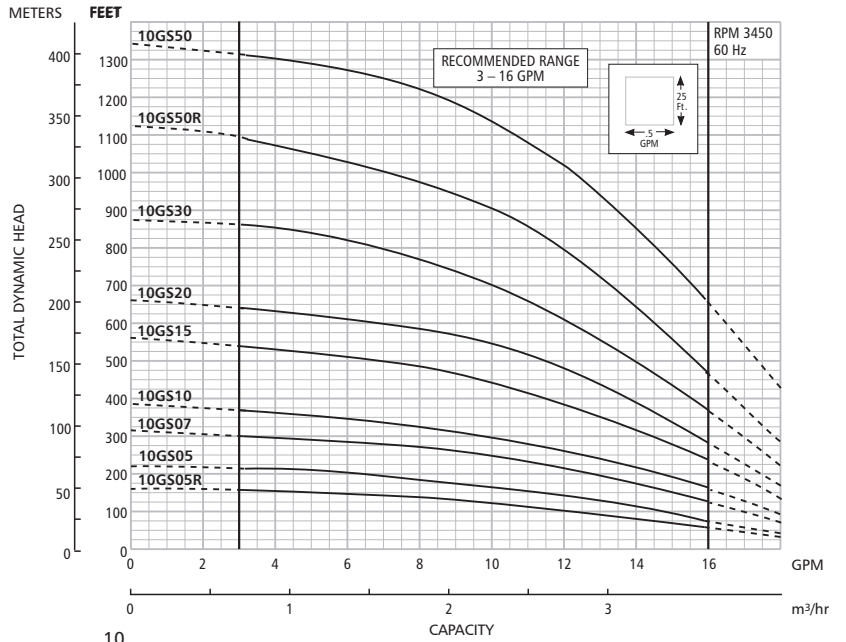
GOULDS PUMPS

Residential Water Systems

Model 5GS



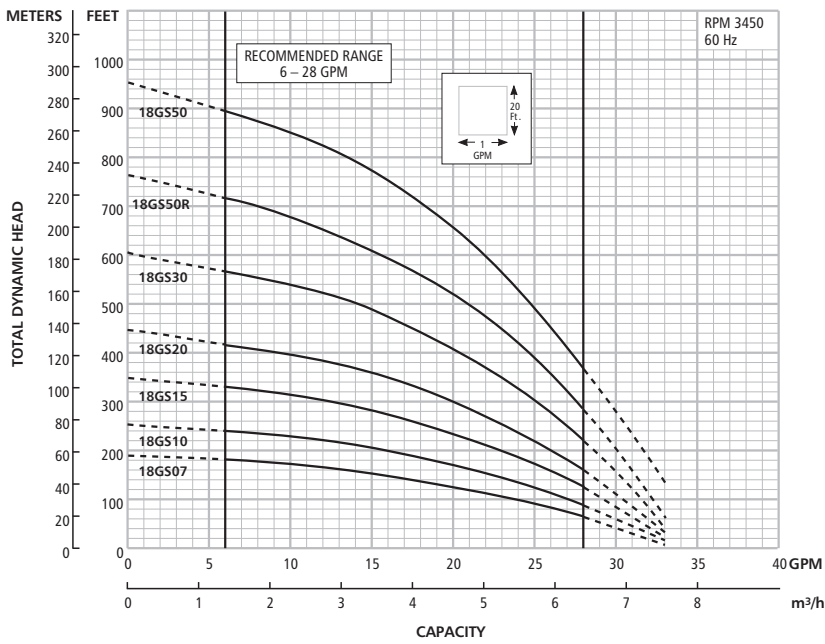
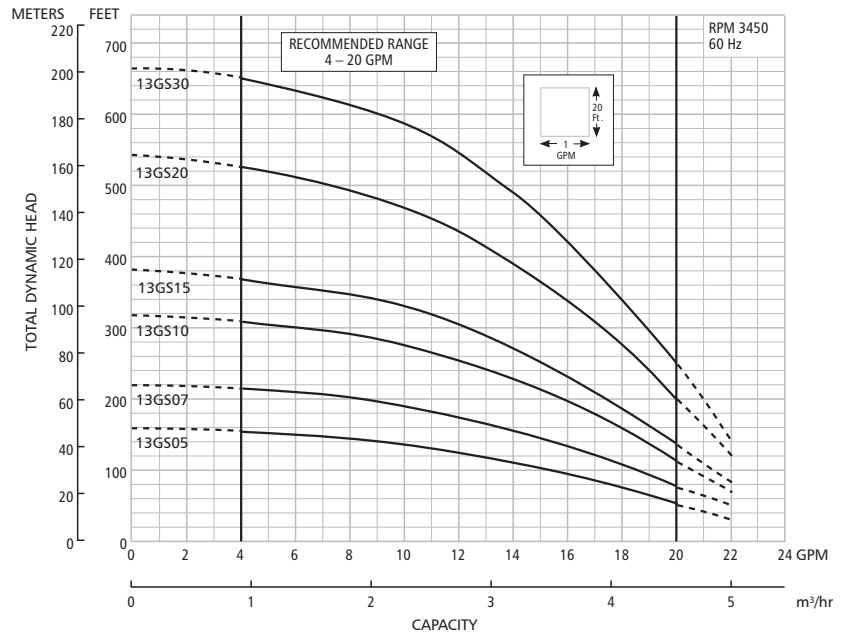
Model 7GS



Model 10GS

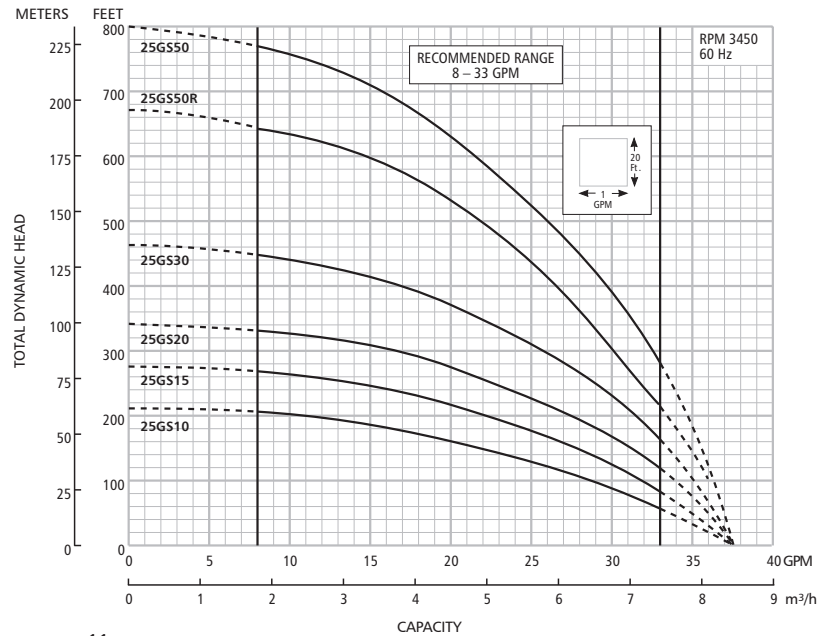
GOULDS PUMPS Residential Water Systems

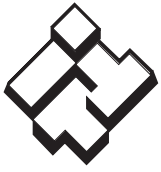
Model 13GS



Model 18GS

Model 25GS





ITT

Residential Water Systems



Goulds Pumps and the ITT Engineered Blocks Symbol are registered trademarks and tradenames of ITT Industries Inc.
Noryl and Lexan is a registered trademark of GE Plastic.

SPECIFICATIONS ARE SUBJECT TO CHANGE WITHOUT NOTICE.

B5-25GS May, 2006
© 2006 ITT Water Technology, Inc.

Engineered for life