



FRANKLIN'S INTEGRAL HORSEPOWER CONTROL BOXES

Franklin Electric single-phase Control Boxes for 1 to 15 horsepower submersibles are reliable “workhorses” for your commercial installations. Start capacitors provide high starting torque while motor-matched run capacitors offer smooth, quiet, efficient motor operation. Manual reset overloads protect motor and pumping equipment from abnormal conditions. The 15 horsepower X-large Control Box furnishes twice the cycle rate and over 2.5 times the wiring connection space of the 15 horsepower large Box



FEATURES

- Suitable for outdoor mounting
- Capacitor Start/Capacitor Run design
- Heavy-duty box-type terminals accept up to #2 AWG wire
- External access to overload resets
- Multiple-size knockouts
- User-friendly connection diagrams
- Easy access to grounding lugs
- UL 778 recognized and CSA certified for 60 Hz models

OUTSTANDING IN THE FIELD!



STANDARD CONTROL BOXES

Standard Integral Control Boxes contain no magnetic contactor and are recommended for water systems that use heavy-duty pressure switches, level switches, or other pilot devices.

AVAILABLE RATINGS:

1/1½, 2, 3, 5, 7½, and 10 horsepower



Franklin Electric



2-15Hp



15Hp X-Large

DELUXE CONTROL BOXES

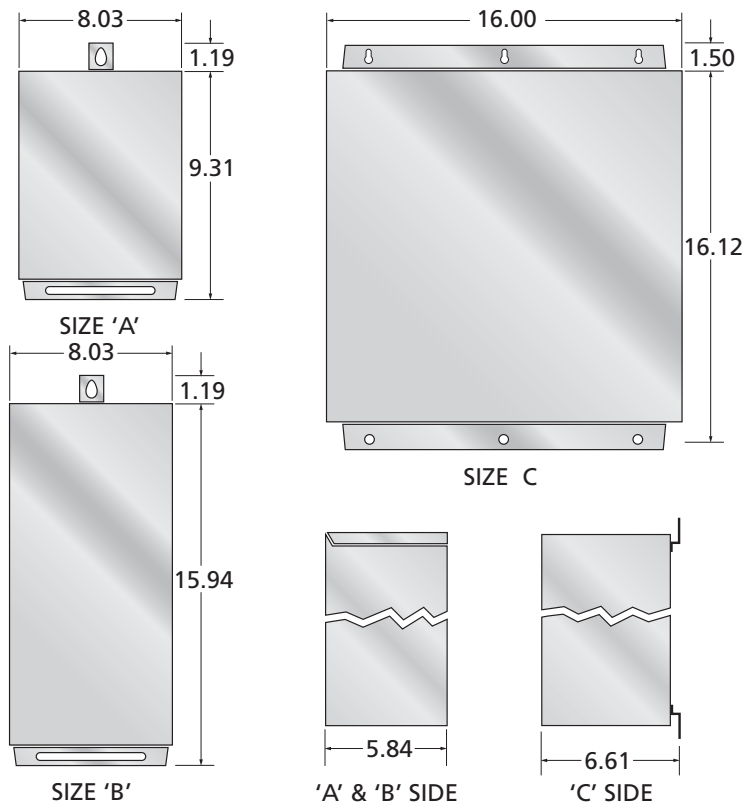
Deluxe Integral Control Boxes contain magnetic line contactors carefully matched to the motor rating. Recommended for water systems that use standard pressure switches, level switches, or other pilot devices. Deluxe Control Boxes eliminate the need to select, mount and connect external line contactors.

AVAILABLE RATINGS:

2, 3, 5, 7 ½, 10, and 15 horsepower

FRANKLIN INTEGRAL HORSEPOWER CONTROL BOX SELECTION GUIDE

RATING	MODEL	ENCLOSURE
1/1 ½-STD	282 300 8110	A
2-STD	282 301 8110	A
2-DLX	282 301 8310	A
3-STD	282 302 8110	A
3-DLX	282 302 8310	A
5-STD	282 113 8110	A
5-DLX	282 113 9310	B
7.5-STD	282 201 9210	B
7.5-DLX	282 201 9310	B
10-STD	282 202 9210	B
10-DLX	282 202 9310	B
15-DLX	282 203 9310	B
15-XLARGE	282 203 9621	C



Franklin Electric

400 East Spring Street, Bluffton, Indiana 46714
 Tel: 260.824.2900 Fax: 260.824.2909
www.franklin-electric.com